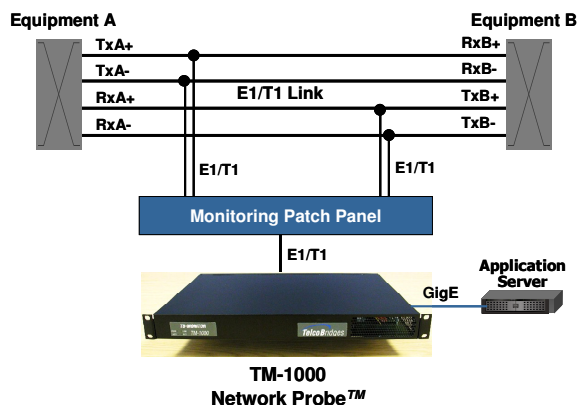


Monitoring Patch Panel

TelcoBridges' Monitoring Patch Panel, used in conjunction with the TM1000™ Network Probe, enables the monitoring of up to 32 E1/T1/J1 signals.

The patch panel connects to the tapped E1/T1/J1 signals to be monitored. It can be equipped with high-impedance circuits to limit the current drain on the active E1/T1/J1 signal such that it can probe the electrical signal while minimizing disturbances on the actual signal itself.

The connected signals are routed to the TM1000™ Network Probe which receives them to detect and capture SS7 messages, HDLC-like packets, record PCM voice, or the raw bit stream.



The Monitoring Patch Panel is a passive device. Each Monitoring Patch Panel consists of 32 female RJ45 connectors for the connection of E1/T1/J1 links to be monitored.

For each E1/T1/J1 link, the patch panel cross-connects the electrical signals from the input ports to the SCSI connectors leading to the TM1000™ Network Probe. The device can be equipped with our without high-impedance circuits for each E1/T1/J1 link.

Technical Specifications

Physical Interfaces

- Front Panel
- 32 RJ45 female E1/T1/J1 input connectors
- Rear Panel
- 2 SCSI-3 female output connectors (to TM1000™ Network Probe)

Standards

- Monitoring
- Protected E1 monitoring: ITU-T G.772
 - Protected T1/J1 monitoring: ANSI T1.102-1993

Mechanical

- 1U 19-inch rackmount (ETSI 600 mm option available)
- Recessed

Environmental

- Operating: 0 to +50° C, 0 to 95% non-condensing, relative humidity
- Storage: -20 to +75° C, 0 to 95% non-condensing, relative humidity



HEAD OFFICE
91-1 rue De La Barre,
Boucherville, Quebec,
Canada, J4B 2X6
T +1 450 655 8993
F +1 450 655 9511
info@telcobridges.com
www.telcobridges.com

ASIA
T +852 9033 0036 (HK)
T +86 139 2525 1005 (China)
F +852 3012 2782 (HK)

KOREA
T +82 2 564 0775
M +82 11 9741 5882
F + 82 2 3288 1302

THE AMERICAS
M +1 408-529 0451 (USA)
T +1 408 374 1004 (USA)
F +1 408 374 1591 (USA)

ABOUT US

TelcoBridges is clearly defining the future of enabling communications technologies. By supplying the industry's best telecom platform, TelcoBridges is helping system integrators worldwide realize their bright ideas. Since 2002, TelcoBridges' customers create carrier-grade telecom solutions used by the world's largest operators in more than 30 countries.

Finalist "2006 Canada Innovation Award": Development of Export Sales