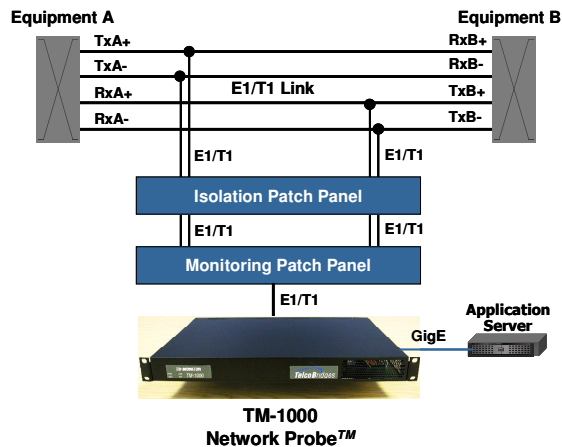


Isolation Patch Panel

TelcoBridges' Isolation Patch Panel, used in conjunction with the TM1000™ Network Probe, enables the electrical isolation of monitoring equipment for the monitoring of up to 16 E1/T1/J1 signals.

The Isolation Patch Panel electrically isolates the E1/T1/J1 signals to be monitored from the monitoring equipment. It uses an embedded passive electronic circuit, including a high-impedance circuit, to connect to the active E1/T1/J1 signal such that it can probe the link with minimum impact on the integrity of the actual signal itself.

The probed signal is routed to the TM1000™ Network Probe which receives it to detect and capture SS7 messages, HDLC-like packets, record PCM voice, or capture the raw bit stream.



The Isolation Patch Panel is a passive device. Each Isolation Patch Panel consists of 32 female RJ45 connectors (16 in and 16 out) for the connection of up to 16 E1/T1/J1 links to be isolated and probed.

For each E1/T1/J1 link, the Isolation Patch Panel provides electrical isolation and high impedance isolation, limiting any disturbances which could be caused by the monitoring equipment.

Technical Specifications

Physical Interfaces

Front Panel

- 32 RJ45 female E1/T1 input connectors
- 16 input ports + 16 output ports

Standards

Monitoring

- Protected E1 monitoring: ITU-T G.772
- Protected T1 monitoring: ANSI T1.102-1993
- Insertion loss: 0.7 dB

Mechanical

- 1U 19-inch rackmount
- Recessed with cable support

Environmental

- Operating: 0 to +50° C, 0 to 95% non-condensing, relative humidity
- Storage: -20 to +75° C, 0 to 95% non-condensing, relative humidity



HEAD OFFICE

91-1 rue De la Barre,
Boucherville, Quebec,
Canada, J4B 2X6
T +1 450 655 8993
F +1 450 655 9511
info@telcobridges.com
www.telcobridges.com

ASIA

T +852 9033 0036 (HK)
T +86 139 2525 1005 (China)
F +852 3012 2782 (HK)

KOREA

T +82 2 564 0775
M +82 11 9741 5882
F +82 2 3288 1302

THE AMERICAS

M +1 408-529 0451 (USA)
T +1 408 374 1004 (USA)
F +1 408 374 1591 (USA)

ABOUT US

TelcoBridges is clearly defining the future of enabling communications technologies. By supplying the industry's best telecom platform, TelcoBridges is helping system integrators worldwide realize their bright ideas. Since 2002, TelcoBridges' customers create carrier-grade telecom solutions used by the world's largest operators in more than 30 countries.

Finalist "2006 Canada Innovation Award": Development of Export Sales