



**TMG7800 VoIP Gateway  
System Installation Guide**

Issue 1.0d

The information in this document as well as product specifications referred to throughout, are subject to change without notice. No part of this document may be reproduced or transmitted in any form or by any means, electronic or mechanical, for any purpose, without the express written permission of TelcoBridges. TelcoBridges may have patents or pending patent applications, trademarks, copyrights, or other intellectual property rights covering subject matter in this document. The furnishing of this document does not give you license to these patents, trademarks, copyrights, or other intellectual property except as expressly provided in any written license agreement from TelcoBridges Inc.

The information provided in this document is intended as a guide only. For the latest detailed engineering specifications, please contact TelcoBridges TB Support or visit the TBWiki: <http://docs.telcobridges.com>. TelcoBridges is committed to continually improving product designs; as a result, product specifications may be subject to change without notification.  
© 2003-2012 TelcoBridges. All rights reserved.

TelcoBridges, Tmedia, TMG800, TMG3200-RJ, TMG3200-TE, TMG3200-DS3, TMG3200-STM1, TMG7800-TE, TMG7800-DS3, TMG7800-STM1, TMG7800-CTRL, TMG-CONTROL, TMG7800-TMS, Tmedia 1+1, TMG800+1, TMG3200-RJ+1, TMG3200-TE+1, TMG3200-DS3+1, TMG3200-STM1+1, TMG7800-TE+1, TMG7800-DS3+1, TMG7800-STM1+1, Tdev, TMP800, TMP6400, TMP6400-CTRL, TMP6400-TMS, Tmonitor, TM1000, Toopack, Toolpack API, TB640, TB-8, TB-16, and TB-Video, are trademarks of TelcoBridges Inc. All other trademarks are the property of their owners. This information is subject to change without notice.

HEAD OFFICE  
TelcoBridges Inc.  
91 rue de la Barre, Suite 01  
Boucherville, QC, J4B 2X6  
CANADA  
[www.telcobridges.com](http://www.telcobridges.com)

T +1 450 655 8993  
F +1 450 655 9511  
[info@telcobridges.com](mailto:info@telcobridges.com)

TB Support -Technical Support  
Tel: +1 438 338 2100  
[support@telcobridges.com](mailto:support@telcobridges.com)  
[www.telcobridges.com/en/tbsupport.aspx](http://www.telcobridges.com/en/tbsupport.aspx)

# Preface

## About this Guide

This guide provides installation, and setup procedures for the Tmedia TMG7800 VoIP Gateway.

## Conventions

Terminology	Description
Tmedia TMG7800 VoIP Gateway	This term is used when a description applies to the Tmedia system comprised of the TMG7800-CTRL, TMG7800 Telecom Unit, and TMG7800-TMS.
TMG7800-CTRL	This term is used when a description applies specifically to the TMG7800-CTRL gateway controller.
TMG7800 Telecom Unit	This term is used when a description applies to all variations of the TMG7800 Telecom Units (TE, DS3, STM1).
TMG7800-TMS	This term is used when a description applies specifically to the TMG7800-TMS media switch.

## Contact Us

If you have comments about this guide or any other TelcoBridges technical documentation, please send an email to [marketing@telcobridges.com](mailto:marketing@telcobridges.com).

# Table of Contents

Chapter 1	Introduction .....	1
1.1	Identifying the Tmedia TMG7800 VoIP Gateway Equipment.....	2
1.2	Installation Prerequisites .....	4
1.2.1	TMG7800-CTRL.....	4
1.2.2	TMG7800 Telecom Units .....	5
1.2.3	TMG7800-TMS .....	5
1.3	Preventing Electrostatic Discharge Damage.....	6
1.4	Recommended Reading .....	6
Chapter 2	Installing the Equipment.....	7
2.1	Package Contents.....	8
2.1.1	TMG7800-CTRL Gateway Controllers .....	8
2.1.2	TMG7800 Telecom Unit .....	9
2.1.3	TMG7800-TMS Media Switch .....	10
2.2	Rack Mounting the Tmedia TMG7800 VoIP Gateway Equipment .....	11
2.2.1	Prerequisites .....	11
2.2.2	Vertical Placement of Tmedia TMG7800 VoIP Gateway Equipment .....	11
2.2.3	Installing the Tmedia TMG7800 VoIP Gateway on an Equipment Rack.....	12
2.2.3.1	TMG7800-CTRL.....	12
2.2.3.2	TMG7800 Telecom Units .....	12
2.2.3.3	TMG7800-TMS .....	12
2.3	TMG7800-CTRL.....	13
2.3.1	Connecting to the System Management Interface .....	13
2.3.2	Connecting to the Tmedia Control Network .....	14
2.3.3	Powering Up.....	15
2.3.3.1	Connecting to AC Power .....	15
2.3.3.2	Connecting to DC Power.....	15
2.4	TMG7800 Telecom Unit .....	16
2.4.1	Connecting to the Tmedia Control Network .....	17
2.4.2	Connecting to the VoIP Network(s).....	18
2.4.3	Connecting to the PSTN .....	19
2.4.3.1	SCSI Interface (T1/E1) for the TMG7800-TE .....	20
2.4.3.2	Dual BNC Interface (DS3) for the TMG7800-DS3.....	22
2.4.3.3	Optical Interface (OC3/STM-1) for the TMG7800-STM1.....	23
2.4.4	Connecting to the TMS Network .....	24
2.4.4.1	Connecting to the TMG7800 Telecom Units .....	24
2.4.4.2	Interconnecting Two TMG7800 Telecom Units.....	26
2.4.5	Powering Up.....	27
2.4.5.1	Connecting to AC Power .....	27
2.4.5.2	Connecting to DC Power.....	28
2.5	TMG7800-TMS .....	29
2.5.1	Connecting to the Tmedia Control Network .....	29
2.5.2	Powering Up.....	30
2.5.2.1	Connecting to AC Power .....	30
2.5.2.2	Connecting to DC Power.....	31

2.6	Start Up .....	31
2.7	Verifying the LED Status Indications .....	34
2.7.1	TMG7800-CTRL .....	34
2.7.2	TMG7800 Telecom Unit .....	34
2.7.3	TMG7800-TMS .....	36
2.8	Powering Down .....	37
2.8.1	TMG7800-CTRL .....	37
2.8.2	TMG7800 Telecom Unit .....	37
2.8.3	TMG7800-TMS .....	37
<b>Chapter 3</b>	<b>Initial System Configuration .....</b>	<b>39</b>
3.1	Connecting to the Serial Port of the Tmedia VoIP Gateway .....	40
3.2	Configuring the Terminal Emulator Application .....	41
3.3	Connecting to the Tmedia VoIP Gateway .....	41
3.4	Retrieving Tmedia VoIP Gateway Information .....	42
3.5	Changing the Tmedia VoIP Gateway Management Port IP Address .....	42
3.6	Changing Tmedia VoIP Gateway Management Port Passwords .....	42
3.7	Setting the Time Zone .....	42
3.8	Configuring the Tmedia VoIP Gateway Using the Web Portal .....	42
3.9	Changing VoIP Interface Addresses .....	43
<b>Chapter 4</b>	<b>System Backups .....</b>	<b>45</b>
4.1	Creating a Database Backup .....	46
4.2	Downloading a Database Backup .....	46
4.3	Uploading a Database Backup .....	46
4.4	Restoring a Database Backup .....	46
<b>Appendix A</b>	<b>Wiring Diagrams .....</b>	<b>47</b>
A.1	RJ48C Wiring Diagram: Crossover and Straight Cables .....	48
A.2	RJ48 Console Wiring Diagram .....	49

# Chapter 1 Introduction

This chapter provides an introduction to the installation and setup of a Tmedia TMG7800 VoIP Gateway:

The following topics are covered:

- Section 1.1 “Identifying the Tmedia TMG7800 VoIP Gateway Equipment”
- Section 1.2 “Installation Prerequisites”
- Section 1.3 “Preventing Electrostatic Discharge Damage”
- Section 1.4 “Recommended Reading”

## 1.1 Identifying the Tmedia TMG7800 VoIP Gateway Equipment

The Tmedia TMG7800 VoIP Gateway is comprised of the following equipment:

- One (1) or two (2) TMG7800-CTRL gateway controller(s). See figure 1.1 on page 2.
- One (1) to 16 TMG7800 Telecom Unit(s). See figure 1.2 on page 3.
- Based upon the configuration of your Tmedia TMG7800 VoIP Gateway, the number of TMG7800-TMS media switch(es) may range from zero (0) to two (2). See figure 1.3 on page 3.

### TMG7800-CTRL (outer view)



### TMG7800-CTRL (inner view)

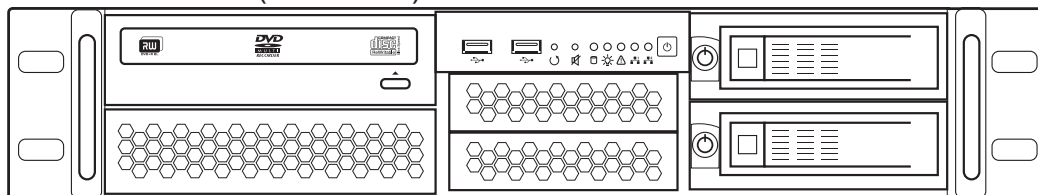
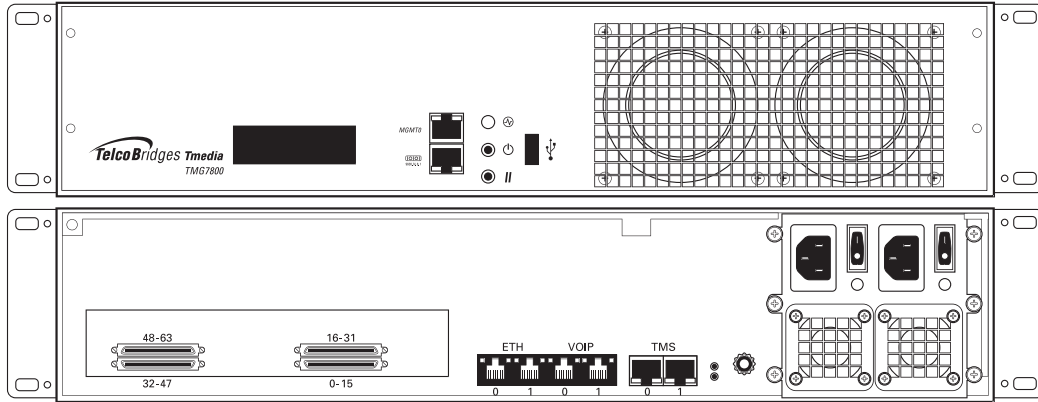


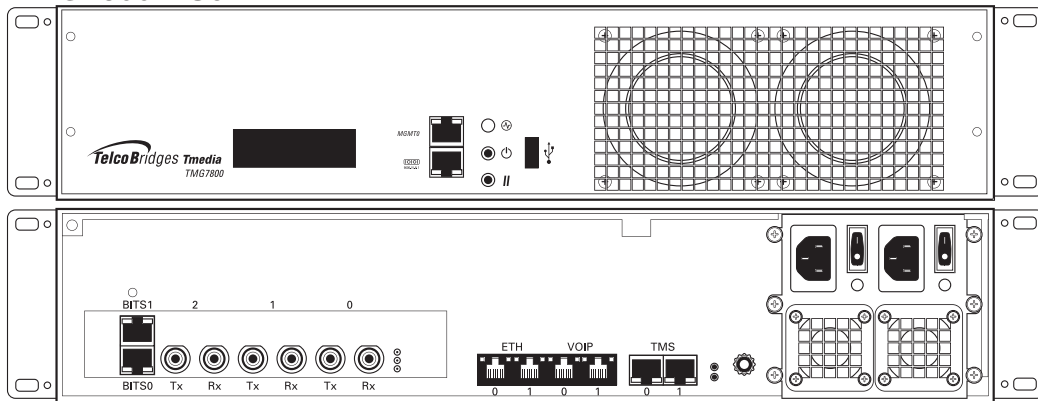
Figure 1.1 TMG7800-CTRL Front Views



### TMG7800-TE



### TMG7800-DS3



### TMG7800-STM1

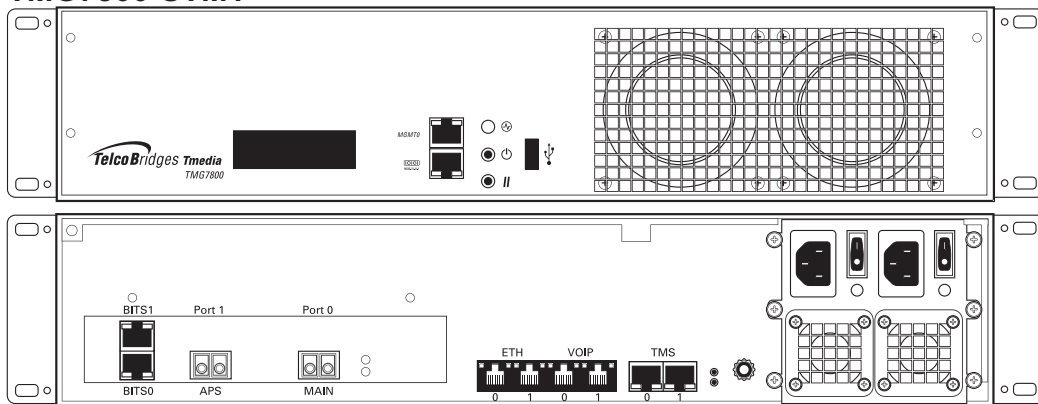


Figure 1.2 TMG7800 Telecom Units Front and Rear Views

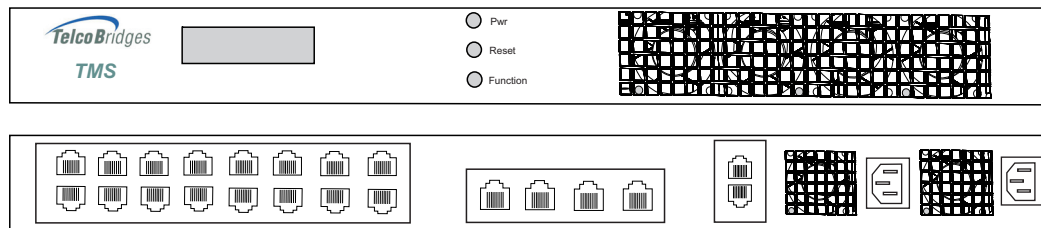


Figure 1.3 TMG7800-TMS Front and Rear Views

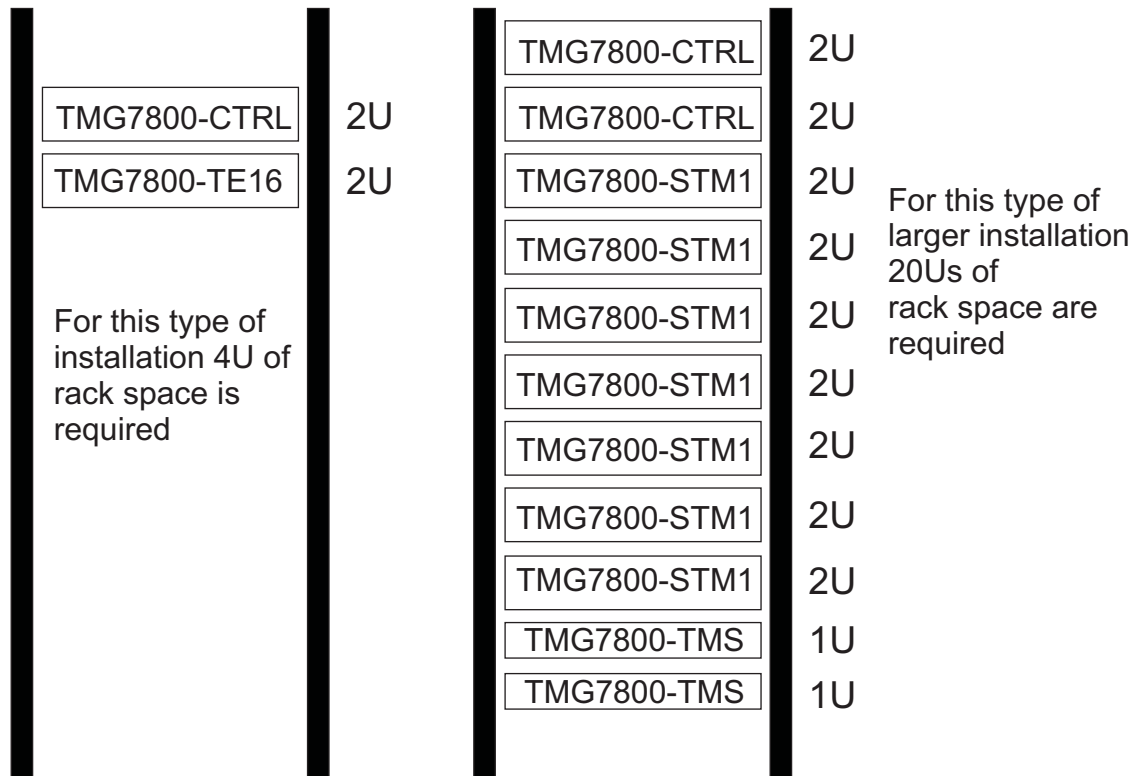
## 1.2 Installation Prerequisites

For the installation to proceed without interruption, it is important that you verify that you have all necessary materials on hand.

### 1.2.1 TMG7800-CTRL

#### Adequate space for the installation of the TMG7800-CTRL

You will need to mount the TMG7800-CTRL on a 19" equipment rack (customer provided). Your TMG7800-CTRL is a 2U unit. Plan for an additional 2U space on the equipment rack for a redundant TMG7800-CTRL.



#### Adequate power supply and power connections

Each TMG7800-CTRL requires two power connections to provide for its redundant power supply. To guarantee an uninterrupted supply of electricity, each power connection must be fed by a dedicated power source.

#### An IP address for the management port

Each TMG7800-CTRL requires a IP address for the management port. To avoid delays, you should have the IP address, netmask and gateway addresses on hand. Take note that the management port supports DHCP, see Section 2.3.1 "Connecting to the System Management Interface" on page 13 for further information.

## **Cabling**

Three (3) customer supplied ethernet cables are required for each TMG7800-CTRL to connect the TMG7800-CTRL to the switches.

### 1.2.2 TMG7800 Telecom Units

#### **Adequate space for the installation of each TMG7800 Telecom Unit**

You will need to mount each TMG7800 Telecom Unit (1-16 units) on a 19" equipment rack (customer provided). Each TMG7800 Telecom Unit is housed in a 2U chassis.

#### **Adequate power supply and power connections**

Each TMG7800 Telecom Unit requires two power connections to provide for its redundant power supply.

To guarantee an uninterrupted supply of electricity, each power connection must be fed by a dedicated power source.

### 1.2.3 TMG7800-TMS

#### **Adequate space for the installation of the TMG7800-TMS**

You will need to mount the TMG7800-TMS on a 19" equipment rack (customer provided). Your TMG7800-TMS is a 1U unit. Plan for an additional 1U space on the equipment rack for a redundant TMG7800-TMS.

#### **Adequate power supply and power connections**

Each TMG7800-TMS requires two power connections to provide for its redundant power supply. To guarantee an uninterrupted supply of electricity, each power connection must be fed by a dedicated power source.

## 1.3 Preventing Electrostatic Discharge Damage

Electrostatic discharge (ESD) can damage equipment and impair electrical circuitry. It may occur if electronic printed circuit cards are improperly handled and may cause complete or intermittent failure.

---



Warning

Always follow ESD prevention procedures when removing and replacing modules:

- Ensure that the Tmedia VoIP gateways are grounded.
  - Wear an ESD-preventive wrist strap and ensure that it makes good contact with your skin. Connect the wrist strap clip to an unpainted surface of the Tmedia VoIP Gateway or the grounded equipment rack in order to channel away all ESD voltage safely to ground. To guard against ESD damage and shocks, the wrist strap and cord must be in proper working condition.
  - If no wrist strap is available, and you must work with Tmedia VoIP Gateways, ground yourself by touching a metal part of the chassis.
- 

## 1.4 Recommended Reading

This document assumes that you have a clear understanding of the installation of the TelcoBridges Tmedia VoIP gateways and have been trained to work with the equipment. If you have any technical questions, TelcoBridges TB Support (technical support team) can be reached via telephone (+1 866 438 4703) or email: [support@telcobridges.com](mailto:support@telcobridges.com).

Documents exploring various aspects of the Tmedia system are available on the TB Wiki: <http://docs.telcobridges.com>

---

# Chapter 2     Installing the Equipment

This chapter provides information about the following topics:

- Section 2.1 “Package Contents”
- Section 2.2 “Rack Mounting the Tmedia TMG7800 VoIP Gateway Equipment”
- Section 2.3 “TMG7800-CTRL”
- Section 2.4 “TMG7800 Telecom Unit”
- Section 2.5 “TMG7800-TMS”
- Section 2.7 “Verifying the LED Status Indications”
- Section 2.8 “Powering Down”

## 2.1 Package Contents

Depending on your system requirements, you may receive one or more of the following items:

- Section 2.1.1 “TMG7800-CTRL Gateway Controllers” on page 8.
- Section 2.1.2 “TMG7800 Telecom Unit” on page 9.
- Section 2.1.3 “TMG7800-TMS Media Switch” on page 10.

The contents of these devices are described in the following sections.

### 2.1.1 TMG7800-CTRL Gateway Controllers

In the TMG7800-CTRL box, you will find the following items:

- One (1) server. See figure 1.1 on page 2.
- Four (4) keys.
- One (1) front bezel.
- Two (2) hard drives.
- Two power cords.
- One Product Warranty.
- One Important Notice (two-sided document containing pertinent product serial numbers and other important information)
- One (1) packing slip.
- One (1) set of server rails

Not included

- Ethernet cables.

## 2.1.2 TMG7800 Telecom Unit

In the TMG7800 Telecom Unit box, you will find the following items:

- One (1) TMG7800 unit (TMG7800-TE, TMG7800-DS3, or TMG7800-STM1). See figure 1.2 on page 3.
- One (1) set of mounting brackets and screws, used to mount the TMG7800 to a 19" rack.
- One (1) DB-9 to RJ-45 adapter to interface the serial port of your computer with the RJ-45 port of the TMG7800.
- Three (3) CAT5 Ethernet (blue) straight cables (male-male), 3 meters in length.
- One (1) Important Notice (two-sided document containing pertinent product serial numbers, and other important information).
- One (1) Product Warranty.
- One (1) packing slip.
- One (1) Quick Installation Guide (two-sided document that provides a pictorial view of the equipment setup).
- Two (2) AC or DC power cables

Specifically with the TMG7800-TE, you will also have:

- One (1) or two (2) patch panel(s)
- Two (2) SCSI cables per patch panel.

Not included

- A 19" equipment rack. The Tmedia TMG7800 VoIP Gateway must be installed on a 19" wide equipment rack.

### 2.1.3 TMG7800-TMS Media Switch

In the TMG7800-TMS media switch box, you will find the following items:

- One (1) TMG7800-TMS unit. See figure 1.3 on page 3.
- Three (3) CAT5 Ethernet (blue) straight cables (male-male), 3 meters in length.
- One (1) DB-9 to RJ-45 adapter to interface the serial port of your computer with the RJ-45 port of the TMG7800-TMS.
- One (1) set of mounting brackets and screws, used to mount the TMG7800-TMS to a 19" rack.
- One (1) Important Notice (two-sided document containing pertinent product serial numbers, and other important information).
- One (1) Product Warranty.
- One (1) packing slip.
- One (1) Quick Installation Guide (two-sided document that provides a pictorial view of the equipment setup).
- Two (2) AC or DC power cables

Not included

- A 19" equipment rack. The TMG7800-TMS must be installed on a 19" wide equipment rack.



## 2.2 Rack Mounting the Tmedia TMG7800 VoIP Gateway Equipment

The Tmedia TMG7800 VoIP Gateway equipment is mounted on a customer provided equipment rack using the mounting hardware packaged in each box.

### 2.2.1 Prerequisites

To rack mount the equipment, you will need:

- One 19" customer-provided equipment rack. The rack must be solidly anchored to the floor with appropriate support at the top of the racks.
- Climate controlled room: 0 to +50 Celsius, 0 to 95% non-condensing humidity.

### 2.2.2 Vertical Placement of Tmedia TMG7800 VoIP Gateway Equipment

The TMG7800-CTRL and TMG7800 Telecom Units are each housed in a 2U chassis, while the TMG7800-TMS is housed in a 1U chassis, as tabulated in table 2.1 on page 11. It is important that you provide for enough room on the equipment rack to allow for the installation of the equipment.

Consider the available space on your equipment rack and the height of one (1) or two (2) TMG7800-CTRL unit(s), one (1) to sixteen (16) TMG7800 Telecom Unit(s), and from zero (0) to two (2) TMG7800-TMS units. Due to the rear-exhaust heat vents and the efficient heat dissipation design, there is no need to leave any physical vertical space above or below the TMG7800-CTRL unit(s), TMG7800 Telecom Unit(s), and the TMG7800-TMS unit(s) on the equipment rack.

Table 2.1 Tmedia VoIP Gateway Physical Height

Tmedia Model Number	Vertical Height
TMG7800-CTRL	2U (3.5 inches or 89.10 mm)
TMG7800 Telecom Unit	2U (3.5 inches or 89.10 mm)
TMG7800-TMS	1U (1.75 inches or 44.45 mm)
Patch Panels	1U (1.75 inches or 44.45 mm)

## 2.2.3 Installing the Tmedia TMG7800 VoIP Gateway on an Equipment Rack

The TMG7800-CTRL, TMG7800 Telecom Unit, and TMG7800-TMS are mounted on a 19" equipment rack using the angle brackets and screws provided in the box.

### 2.2.3.1 TMG7800-CTRL

#### **Mounting the TMG7800-CTRL Unit(s):**

1. Using four metal screws, attach one angle bracket to the front, left-hand side of the TMG7800-CTRL, when viewed from the front. Do the same for the angle bracket on the right-hand side.
2. Start mounting equipment at the top-most position of the rack, keeping in mind the space required on the equipment rack as described in Section 2.2.2 "Vertical Placement of Tmedia TMG7800 VoIP Gateway Equipment" on page 11.
3. Repeat steps 1 and 2 for a second TMG7800-CTRL.

### 2.2.3.2 TMG7800 Telecom Units

#### **Mounting the TMG7800 Telecom Unit(s):**

1. Using four metal screws, attach one angle bracket to the front, left-hand side of the TMG7800 Telecom Unit, when viewed from the front. Do the same for the angle bracket on the right-hand side.
2. Start mounting equipment beneath the TMG7800-CTRL, keeping in mind the space required on the equipment rack as described in Section 2.2.2 "Vertical Placement of Tmedia TMG7800 VoIP Gateway Equipment" on page 11.
3. Repeat steps 1 and 2 for each additional TMG7800 Telecom Unit.

---

**Note** If you are installing TMG7800-TE units you will require one (1) to two (2) patch panels per TMG7800-TE. Mount the patch panels beneath each TMG7800-TE.

---

### 2.2.3.3 TMG7800-TMS

#### **Mounting the TMG7800-TMS Unit(s):**

1. Using four metal screws, attach one angle bracket to the front, left-hand side of the TMG7800-TMS, when viewed from the front. Do the same for the angle bracket on the right-hand side.
2. Start mounting equipment beneath the last TMG7800 Telecom Unit, keeping in mind the space required on the equipment rack as described in Section 2.2.2 "Vertical Placement of Tmedia TMG7800 VoIP Gateway Equipment" on page 11.
3. Repeat steps 1 and 2 for a second TMG7800-TMS.

## 2.3 TMG7800-CTRL

This section covers the following procedures:

- Section 2.3.1 “Connecting to the System Management Interface” on page 13.
- Section 2.3.2 “Connecting to the Tmedia Control Network” on page 14.
- Section 2.3.3 “Powering Up” on page 15.
- Section 2.6 “Start Up” on page 31.

### 2.3.1 Connecting to the System Management Interface

The Tmedia Management Interface enables administrators to perform management tasks on a TMG7800-CTRL.

#### Prerequisites

To communicate with the Tmedia Management Interface, the following is needed:

- One CAT5 Ethernet cable with RJ45 male-male terminations.

---

**Note** Ethernet cables are not supplied with the TMG7800-CTRL.

---

#### To communicate with the Tmedia Management Interface:

1. Connect an RJ45 cable from the TMG7800-CTRL to a Gigabit Ethernet switch.

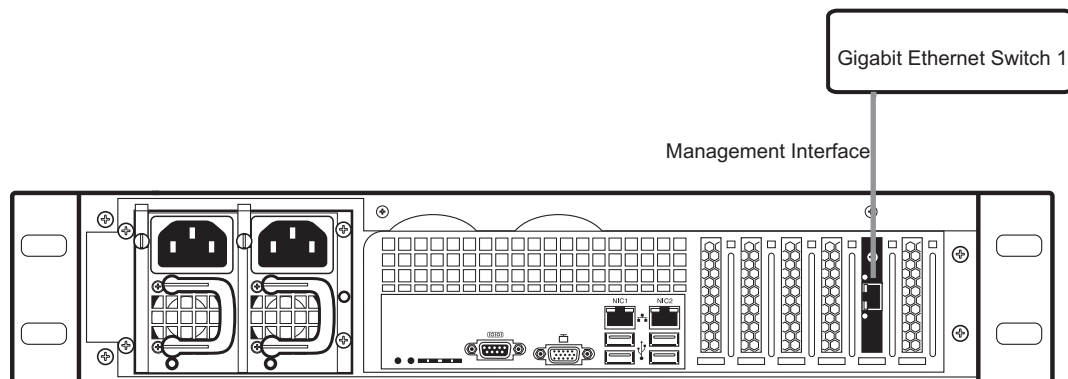


Figure 2.1 TMG7800-CTRL System Management Interface

## 2.3.2 Connecting to the Tmedia Control Network

The Tmedia Control network enables communication between the TMG7800-CTRL, the TMG7800 Telecom Unit(s), and the TMG7800-TMS.

### Prerequisites

To connect the TMG7800 to the Tmedia control network, you will need:

- Two CAT5 Ethernet cables with RJ45 male-male terminations.

### Connections

The TMG7800-CTRL is connected to the Tmedia control network using two CAT5 Ethernet cables, as shown in figure 2.4 on page 17.

#### To connect to the Tmedia control network:

1. Connect the NIC1 connector on the TMG7800-CTRL to the Tmedia Control network switch one.
2. Connect the NIC2 connector on the TMG7800-CTRL to the Tmedia Control network switch two.

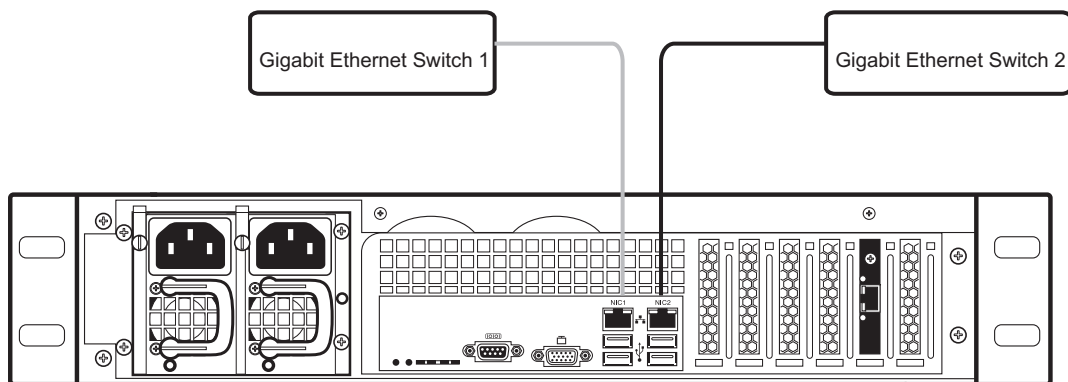


Figure 2.2 Connecting to the Tmedia Control Network

## 2.3.3 Powering Up

The TMG7800-CTRL is furnished with two (2) AC or two (2) DC power connections. Only once all other equipment installation work has been completed should the Tmedia VoIP gateway be powered up.

### Prerequisites

To power the TMG7800-CTRL, you will need:

- Two independent AC or DC power sources.
- Two power cables.

### 2.3.3.1 Connecting to AC Power

The TMG7800-CTRL is furnished with two AC power connectors.

#### To connect the TMG7800-CTRL to AC Power:

1. Connect the first power connector of the TMG7800-CTRL to the first power source. See Figure 2.3.
2. Connect the second power connector of the TMG7800-CTRL to the second power source.

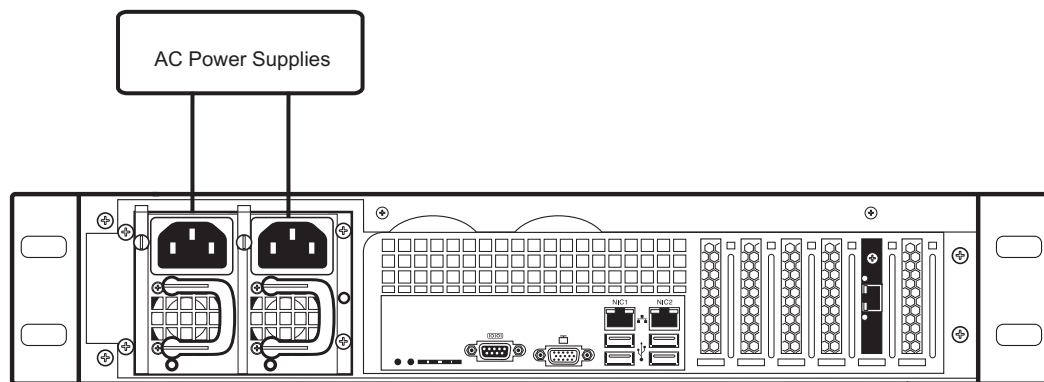


Figure 2.3 TMG7800-CTRL AC Power Connections

### 2.3.3.2 Connecting to DC Power

The TMG7800-CTRL is furnished with two DC power connection ports. In addition, each DC powered TMG7800-CTRL is supplied with two DC power cables.

#### To connect the TMG7800-CTRL to DC Power

1. Connect the first DC power connector of the TMG7800-CTRL to DC power source one.
  - 1a. Connect one lead of each DC power cable to the positive terminal of the DC power source.
  - 1b. Connect the other lead of each DC power cable to the negative side of the DC power source.
2. Repeat the previous steps for DC power source two.

## 2.4 TMG7800 Telecom Unit

This section covers the following procedures:

- Section 2.4.1 “Connecting to the Tmedia Control Network” on page 17.
- Section 2.4.2 “Connecting to the VoIP Network(s)” on page 18.
- Section 2.4.3 “Connecting to the PSTN” on page 19.
- Section 2.4.4 “Connecting to the TMS Network” on page 24.
- Section 2.4.5 “Powering Up” on page 27.

## 2.4.1 Connecting to the Tmedia Control Network

The Tmedia Control network enables communication between the TMG7800-CTRL, the TMG7800 Telecom Unit(s), and the TMG7800-TMS.

### Prerequisites

To connect the TMG7800 Telecom Unit(s), you will need:

- Two CAT5 Ethernet cables with RJ45 male-male terminations for each TMG7800 Telecom Unit.

### Connections

The TMG7800 Telecom Unit(s) are connected to the Tmedia control network using two CAT5 Ethernet cables, as shown in figure 2.4 on page 17.

#### To connect to the Tmedia control network:

1. Connect the ETH0 connector on the TMG7800 Telecom Unit to the Tmedia Control network switch one.
2. Connect the ETH1 connector on the TMG7800 Telecom Unit to the Tmedia Control network switch one.
3. Repeat steps 1 and 2 for each additional TMG7800 Telecom Unit.

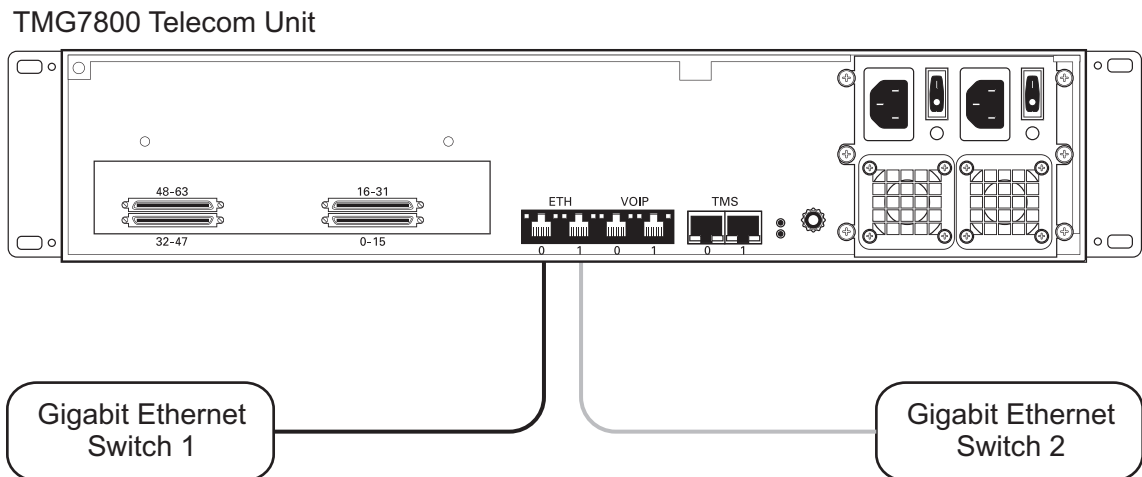


Figure 2.4 Connecting to the Tmedia Control Network

## 2.4.2 Connecting to the VoIP Network(s)

Each TMG7800 Telecom Unit features dual GigE ports for connection to different VoIP networks. This provides an access point to manage VoIP traffic. Should one of the IP networks fail, the TMG7800 Telecom Units will continue to manage VoIP traffic using the alternate network.

The IP address of the VoIP ports can be modified using the web portal.

---

**Note:** The TMG7800 Telecom Units require two (2) gigabit layer 2 Ethernet switches.

---

### Prerequisites

To connect the TMG7800 Telecom Units to the VoIP network, you will need:

- Two gigabit layer 2 Ethernet switches. A second one is required to support redundancy of the VoIP interface.
- Two CAT5 Ethernet cables with RJ45 male-male terminations.
- Two IP addresses located on different subnets.

### Connections

The TMG7800 Telecom Units are connected to the VoIP network through two Ethernet GigE network links, as shown in figure 2.5 on page 18.

#### To connect to the VoIP network:

1. Connect the VoIP0 connector from each TMG7800 Telecom Unit to the first Ethernet switch.
2. Connect the VoIP1 connector from each TMG7800 Telecom Unit to the second Ethernet switch.

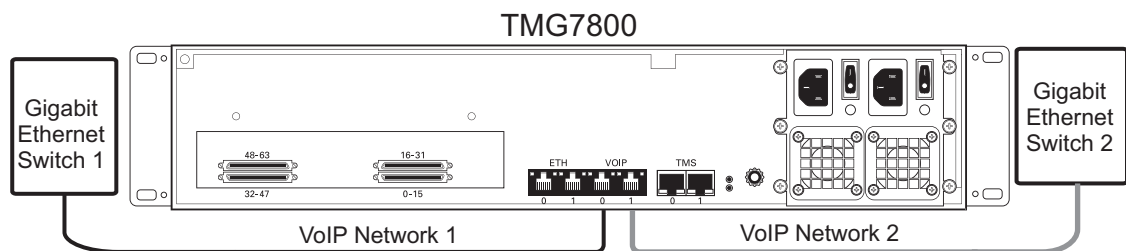


Figure 2.5 Connecting to the VoIP Network



## 2.4.3 Connecting to the PSTN

The TMG7800 Telecom Units feature a variety of interfaces to the PSTN network.

### Prerequisites

To connect the TMG7800 Telecom Unit to the PSTN network, you must comply with one of the following:

- Your TMG7800-TE features SCSI connectors for connection to T1/E1 lines. You will require one patch panel for each 32 line grouping of T1/E1 line interfaces with 2 SCSI cables per patch panel (supplied). Each T1/E1 line interfaces requires a RJ48C to connect to the PSTN (not supplied).
- Your TMG7800-DS3 features BNC connectors for connection to DS3 lines. You will require two coaxial cables for each DS3 interface.
- Your TMG7800-STM1 features electrical or optical STM-1 connectors. You will require two fibre optic cables for each STM-1 interface.

### 2.4.3.1 SCSI Interface (T1/E1) for the TMG7800-TE

A TMG7800-TE with 4 SCSI connectors enables the connection to T1/E1 lines. The termination impedance is set at 120 ohms. It is possible to connect an external balun in order to convert to 75 ohms.

---

**Note** All ports may not be active. T1/E1 ports are activated by software license; the number of active ports depends on the licenses purchased.

Patch panels use straight connections. In other words, they do not cross the RX and TX signals. Connections between the patch panels and the TMG7800 require straight cables. The supplied SCSI cables are straight cables. Cables used to connect the network to the patch panel must do the cross connection.

---

**To connect the TMG7800-TE to the PSTN:**

1. Start with SCSI ports 0-15 located at the bottom right as shown in figure 2.6 on page 21. Connect one SCSI cable between this port and SCSI patch panel number 1, ports 0-15. Connect SCSI ports 16-31 to patch panel number 1, ports 16-31.
2. Repeat step 1, using lines 32-63 and a second patch panel. Connect lines 32-47 to patch panel 2, ports 0-15. Connect lines 48-63 to patch panel 2, ports 16-31.

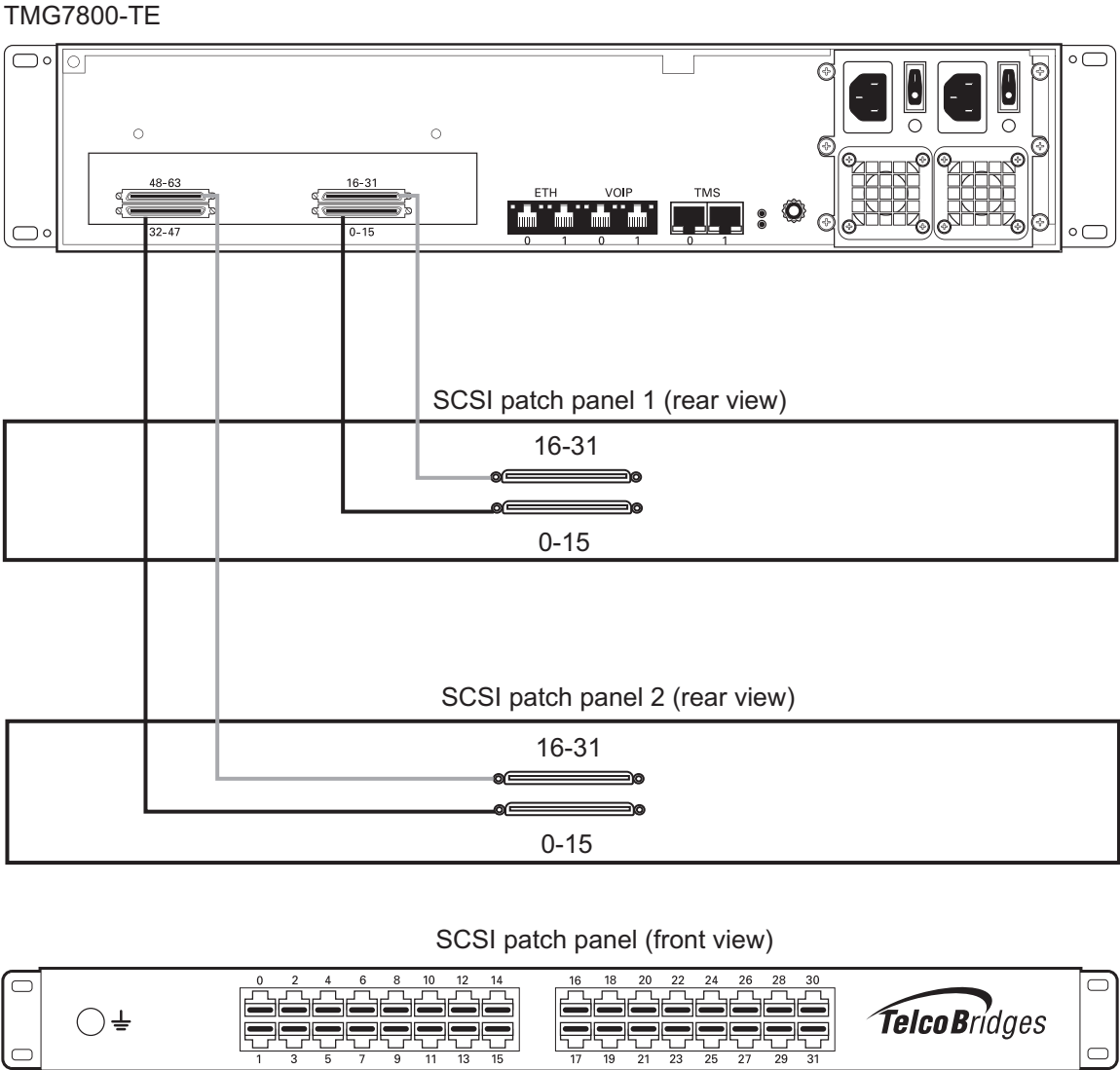


Figure 2.6 TMG7800 with SCSI connectors

### 2.4.3.2 Dual BNC Interface (DS3) for the TMG7800-DS3

A TMG7800-DS3 with 3 sets of BNC connectors enables the connection to DS3 lines. See figure 2.7 on page 22.

---

**Note** All ports may not be active. DS3 ports are activated by software license; the number of active ports depends on the licenses purchased.

---

**To connect the TMG7800-DS3 to the PSTN:**

1. Start with the Dual BNC port pair #0 (right-most) as shown in figure 2.7 on page 22. Connect one pair of BNC cables between this port and the DS3 line.
2. Repeat step 1, using the next available pair of BNC PSTN interface ports.

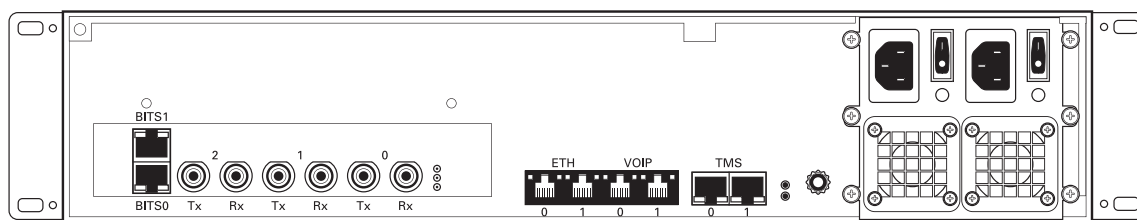


Figure 2.7 DS3 Interface to the PSTN

### 2.4.3.3 Optical Interface (OC3/STM-1) for the TMG7800-STM1

A TMG7800-STM-1, with one main and one backup OC3 or STM1 port enables connection to OC3/STM1 lines. See figure 2.8 on page 23. Refer to table 2.2 on page 23 for a listing of optical interfaces. The default SFP module for OC3/STM1 connection is SMF, intermediate reach, (SFP-OC3-IR1) 1310 nm with LC type connectors.

**Note** Please make certain that the correct SFP model is selected at the time of ordering. If your installation requires a different model from the one that has been provided, you must replace it.

Table 2.2 Optical Interfaces

Transceiver Model	Description	Spec	Mode	Type	Range (Km.)	Wavelength (NM)	Connection
SFP-OC3-IR1	OC3/STM1	Hot Pluggable	Single-mode	Intermediate reach	15	1310	LC
SFP-STM1E	STM1E (Electrical)	Hot Pluggable	75 ohms Cooper	Max 180m	1	NA	DIN (mini-coax)

### Automatic Protection Switching

The APS port is used for OC3/STM1 redundancy. Switchover occurs automatically based on configurable parameters. It is recommended that APS be used if the installation provides this feature.

#### To connect the TMG7800-STM1 (Optical Interface) to the PSTN:

1. Connect a fiber optic cable between the Port 0 (Main) port and OC3/STM1 line, as shown in figure 2.8 on page 23.
2. Connect a fiber optic cable between the Port 1 (APS) port and OC3/STM1 line.

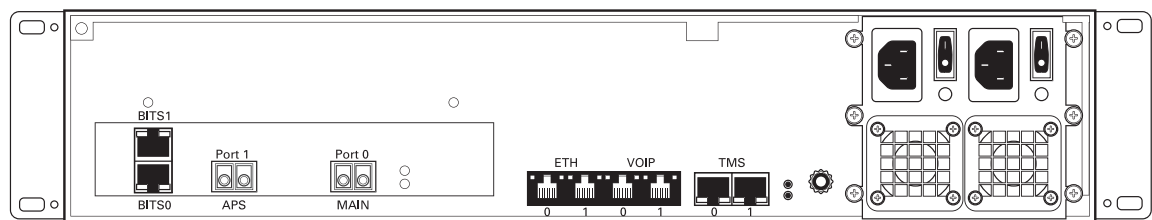


Figure 2.8 Optical Interface to the PSTN

## 2.4.4 Connecting to the TMS Network

---

**Note** Each connection from a TMG7800 Telecom Unit to the TMS network requires one CAT7 shielded ethernet crossover cable with RJ45 type male-male connectors.

---

### 2.4.4.1 Connecting to the TMG7800 Telecom Units

The TMG7800-TMS enables you to scale your system by interfacing as many as 16 TMG7800 Telecom Units with its TMG7800-TMS Switch network, building a non-blocking system of up to 32,768 channels. A second TMG7800-TMS provides your system with an active/standby high availability architecture.

#### *Prerequisites*

To interconnect the TMG7800 Telecom Units with the TMG7800-TMS, you will need:

- One CAT7 shielded Ethernet crossover cable with RJ45 type male-male terminations for each TMG7800 Telecom Unit connected to the TMG700-TMS.
- If your system features a second TMG7800-TMS, you will require an additional CAT7 shielded Ethernet cable with RJ45 male-male terminations for each TMG7800 Telecom Unit.

#### *Interconnections*

See figure 2.11 on page 26 for an Ethernet crossover wiring diagram.

#### **To interconnect the TMM7800s:**

1. Start with the TMG7800 Telecom Unit at the topmost position of the equipment rack and connect a CAT7 shielded Ethernet crossover cable to the TMS0 connector at the rear of the TMG7800 Telecom Unit, figure 2.9 on page 25. Connect the other end of the same CAT7 cable to the first port of the first TMG7800-TMS.

---

**Note** Ensure that the TMS0 port of each Telecom Unit connects to the same TMG7800-TMS switch.

---

2. If your system employs a second TMG7800-TMS, connect a second CAT7 shielded Ethernet crossover cable to TMS1 at the rear of the TMG7800 Telecom Unit, figure 2.9 on page 25. Connect the other end of the same CAT7 cable to the first port of a second TMG7800-TMS.

---

**Note** Ensure that the TMS1 port of each Telecom Unit connects to the same TMG7800-TMS switch.

---

3. Repeat steps 1-2 for each TMG7800 Telecom Unit until they have all been connected to the TMG7800-TMS.

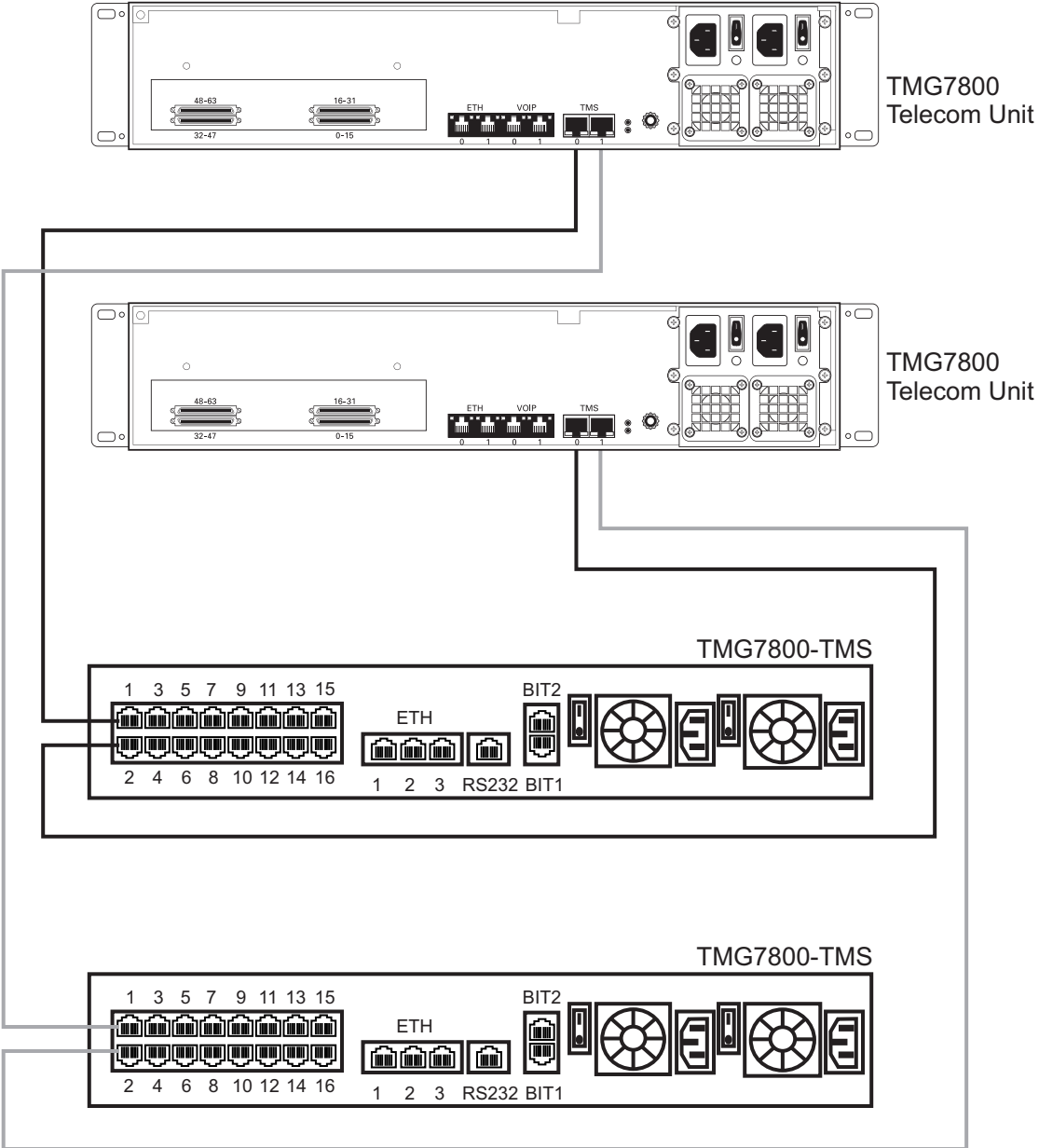


Figure 2.9 Example of Interconnecting 2 TMG7800 Telecom Units to an active and standby TMG7800-TMS

### 2.4.4.2 Interconnecting Two TMG7800 Telecom Units

If your TMG7800 VoIP gateway has no more that two TMG7800 Telecom Units, they can be connected to each other without the use of a TMG7800-TMS switch.

Simply connect the TMS0 ports of each unit together using a CAT7 shielded cross-over cable with RJ45 male-male terminations. Do the same for the TMS1 ports of each unit. See figure 2.10 on page 26.

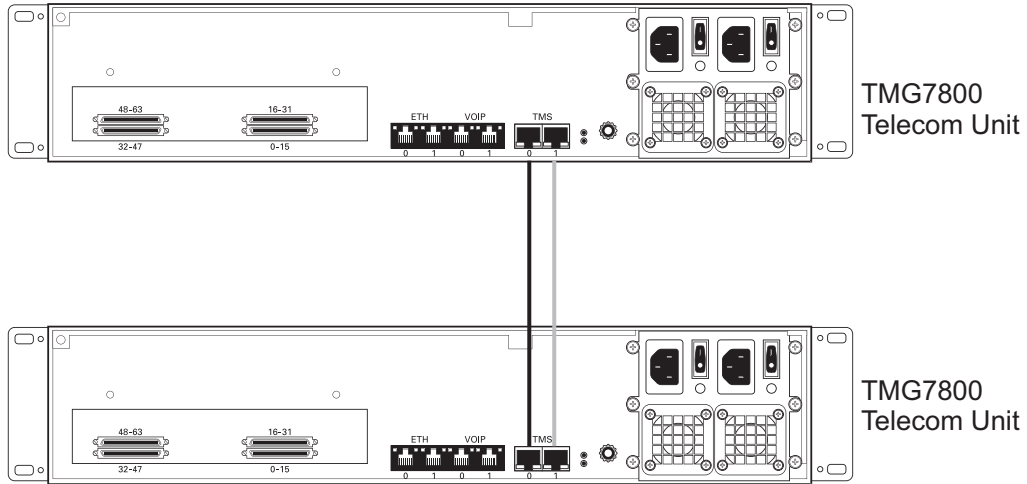


Figure 2.10 Interconnecting two TMG7800 Telecom Units.

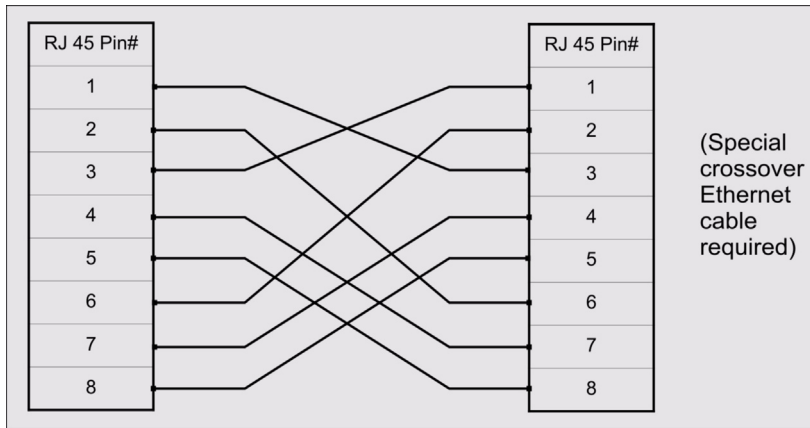


Figure 2.11 Ethernet Crossover Cable



## 2.4.5 Powering Up

The TMG7800 Telecom Units are furnished with two AC or DC power connections. Only once all other equipment installation work has been completed should the TMG7800 Telecom Unit be powered up.

### 2.4.5.1 Connecting to AC Power

#### Prerequisites

To power the TMG7800 Telecom Unit, you will need:

- One to two power sources.
- Two power cables.

The TMG7800 Telecom Unit AC model is furnished with two AC power connectors.

#### To connect the TMG7800 Telecom Unit to AC Power:

1. Connect an AC power cable between the AC connector of the TMG7800 Telecom Unit and an AC supply. See figure 2.12 on page 27.

---

**Note** If the TMG7800 Telecom Unit features a second power supply and it is not connected to an AC power source, press the green button located at the rear of the unit to disable the audible alarm. See figure 2.12 on page 27.

---

2. Power up the TMG7800 Telecom Unit by turning on its power switch(es).

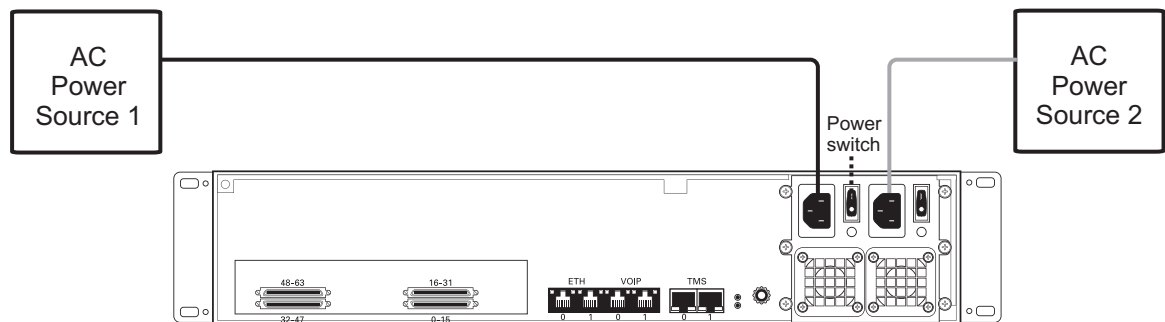


Figure 2.12 AC Power Connection

### 2.4.5.2 Connecting to DC Power

The TMG7800 Telecom Unit DC model is furnished with two DC power connection ports. In addition, each DC powered TMG7800 Telecom Unit is supplied with two DC power cables.

**To connect the TMG7800 Telecom Unit to DC power:**

1. Connect one DC cable, supplied with the TMG7800 Telecom Unit, as shown in figure 2.13 on page 28, to the DC outlet at the rear of the TMG7800 Telecom Unit.

**Note** Two types of cable with different coloring are available. Refer to figure 2.13 on page 28 for the appropriate wiring information.

2. Connect one lead of the DC power cable to the positive terminal of the DC power source.
3. Connect the other lead of the DC power cable to the negative side of the DC power source.
4. Repeat steps 1-3 for the second power DC power source.

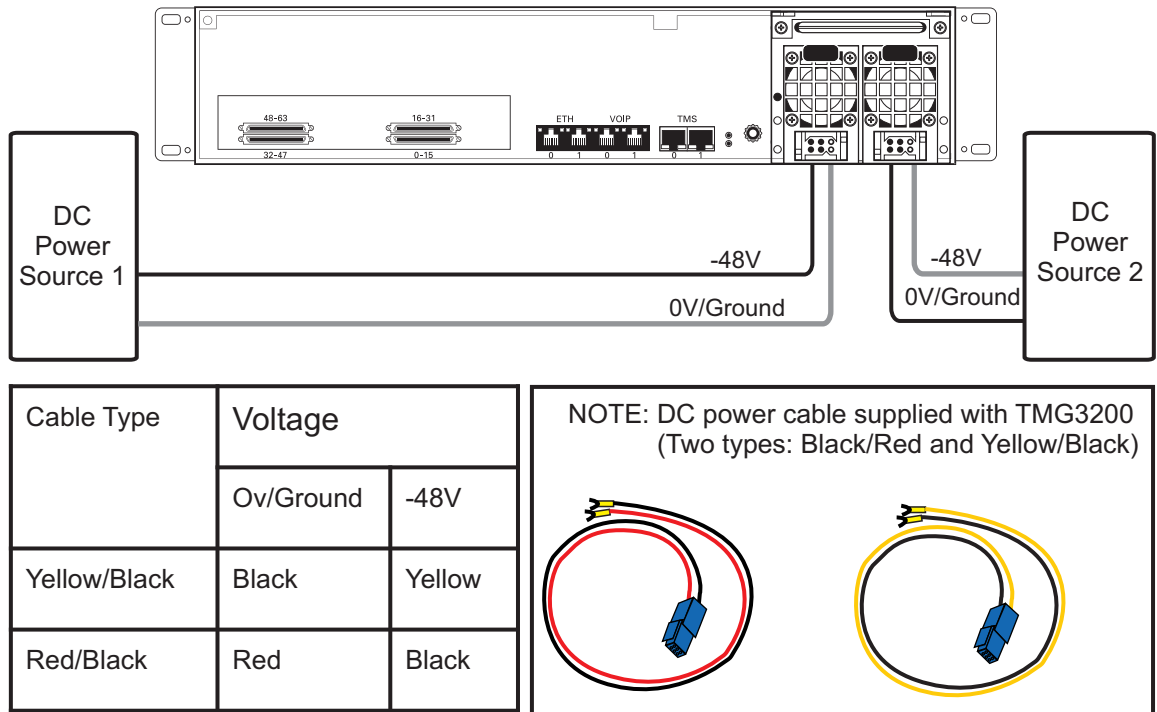


Figure 2.13 DC Power Connection

## 2.5 TMG7800-TMS

This section covers the following procedures:

- Section 2.5.1 “Connecting to the Tmedia Control Network” on page 29.
- Section 2.5.2 “Powering Up” on page 30.

### 2.5.1 Connecting to the Tmedia Control Network

The Tmedia Control network enables the communication between the TMG7800-CTRL, the TMG7800 Telecom Unit(s), and the TMG7800-TMS.

#### Prerequisites

To connect the TMG7800-TMS, you will need:

- Two CAT5 Ethernet cables with RJ45 male-male terminations.

#### Connections

The TMG7800-TMS is connected to the Tmedia control network using two CAT5 Ethernet cables, as shown in figure 2.4 on page 17.

#### To connect to the Tmedia control network:

1. Connect the ETH0 connector on the TMG7800-TMS to Tmedia Control network switch one.
2. Connect the ETH1 connector on the TMG7800-TMS to Tmedia Control network switch one.
3. Repeat step 1 and 2 for a second TMG7800-TMS.

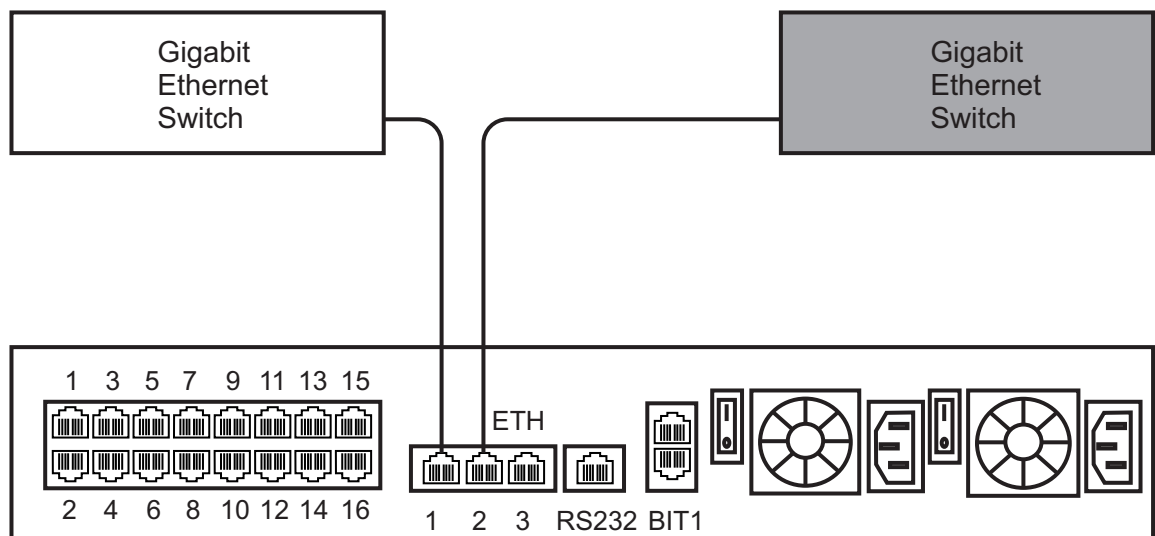


Figure 2.14 Connecting to the Tmedia Control Network

## 2.5.2 Powering Up

The TMG7800-TMS is with two (2) AC or two (2) DC power connections. Only once all other equipment installation work has been completed should the TMG7800-TMS be powered up.

### Prerequisites

To power the TMG7800-TMS, you will need:

- Two independent AC power sources.
- Two power cables for each TMG7800-TMS.

### 2.5.2.1 Connecting to AC Power

The TMG7800-TMS AC models are furnished with two AC power connectors.

#### To connect the TMG7800-TMS to AC Power:

1. Connect the first power connector of each unit to the first power source. See Figure 2.15.
2. Connect the second power connector of each unit to the second power source.

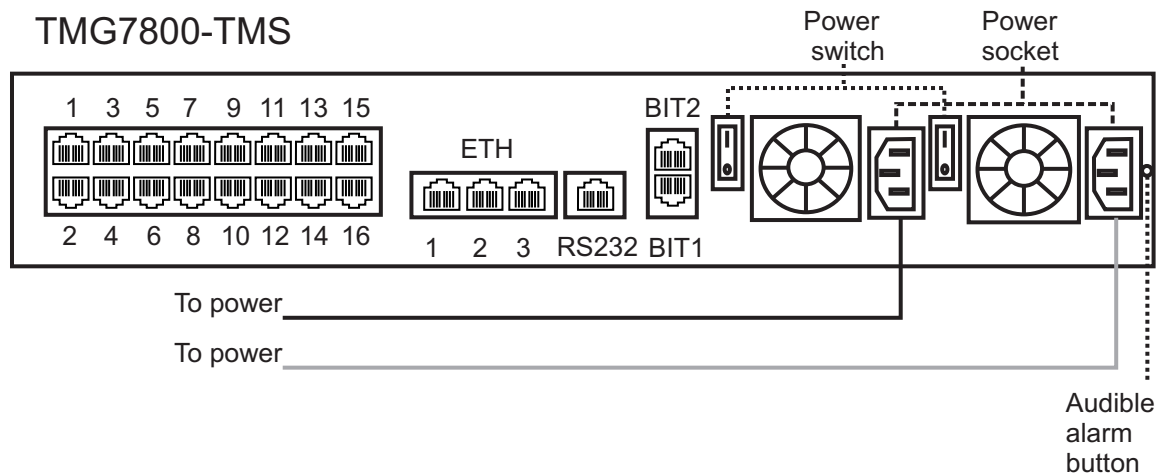


Figure 2.15 AC Power Connections

### 2.5.2.2 Connecting to DC Power

The TMG7800-TMS DC models are furnished with two DC power connection ports.

**To connect the TMG7800-TMS to DC power:**

1. Connect a ground wire to the ground lug located at the rear of the TMG7800-TMS, as shown in figure 2.16 on page 31.
2. Connect a 14 AWG wire between the positive terminal of a DC power source and the terminal on the TMG7800-TMS labelled  $\oplus$ .
3. Connect a 14 AWG wire between the negative terminal of a DC power source and the terminal on the TMG7800-TMS labelled 48V.
4. Repeat steps 1-3 for the second DC power source.
5. Turn on the DC power source.

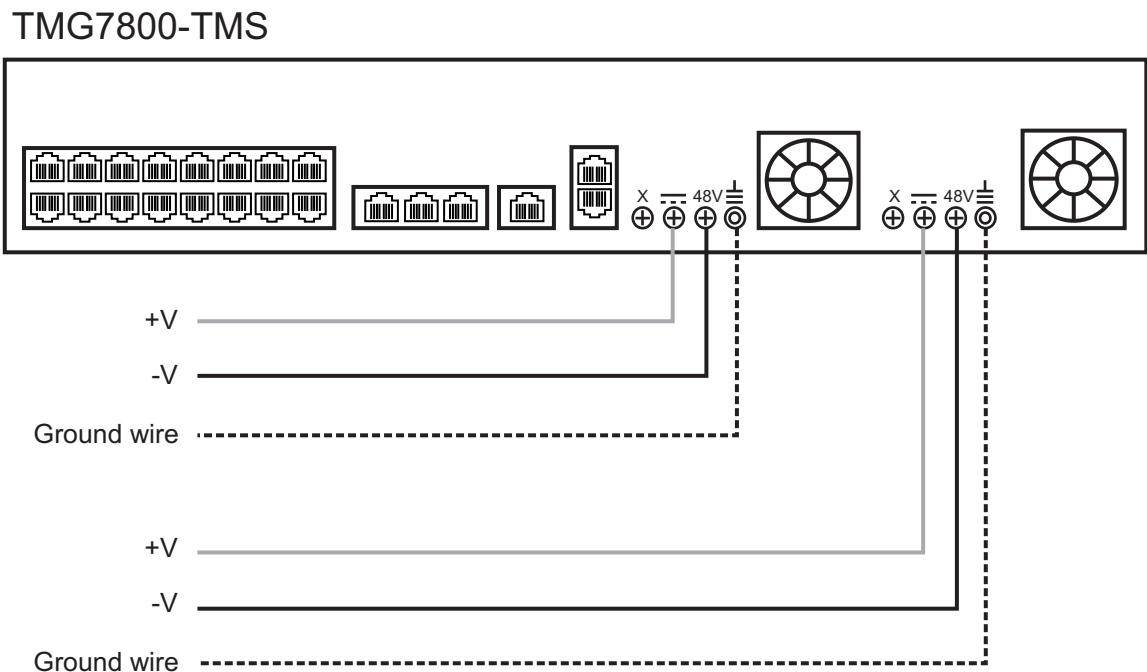


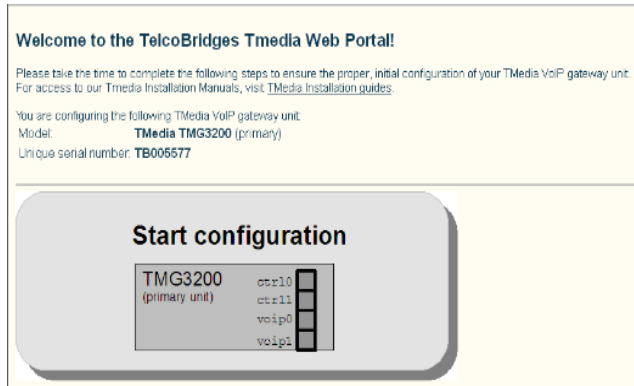
Figure 2.16 DC wiring diagram

## 2.6 Start Up

After powering up the TMG7800-CTRL, you must select one of the servers to be the primary server. If you have a second server configure it as a secondary.

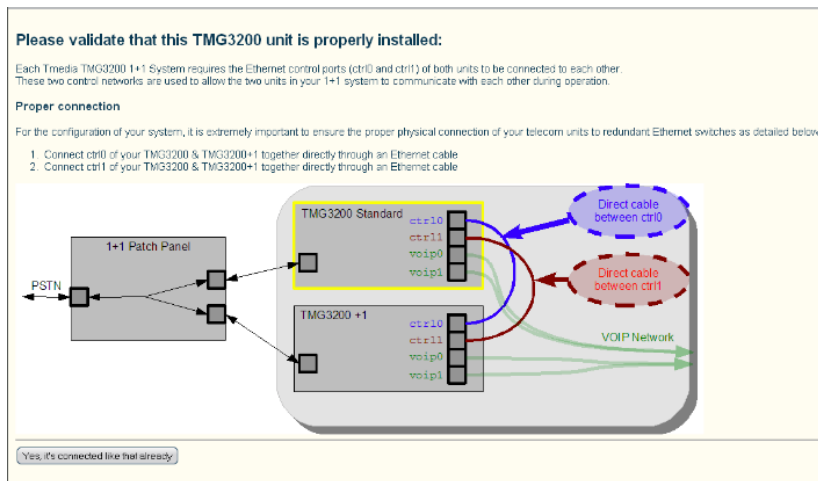
Once these configuration settings have been applied, your Tmedia TMG7800 VoIP Gateway will start up and display the web portal configuration management tool.

1. Connect to the web portal. The Welcome page appears.

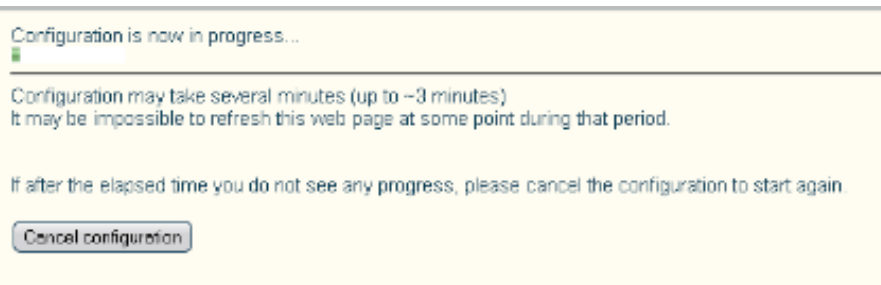


**Note:** The Welcome page indicates whether the TMG7800-CTRL is a primary or secondary unit.

2. Follow the instructions of the web portal to configure your unit.
3. Before clicking the **Yes, it's connected like that already**, verify that the physical connections have been properly done.



The Progress page is displayed.



## 2.7 Verifying the LED Status Indications

When the Tmedia VoIP gateway has been powered up, verify the front panel of each unit to determine that all indications are normal.

### 2.7.1 TMG7800-CTRL

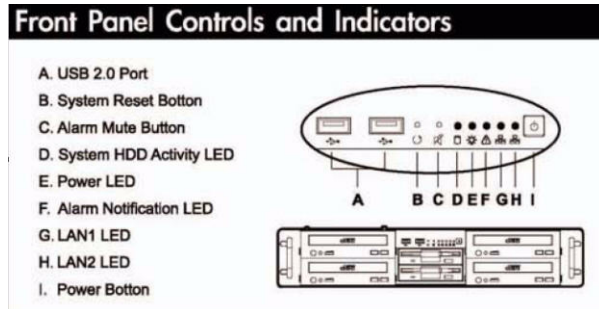


Table 2.3 TMG7800-CTRL Indicators

Display Order	Display
System HDD Activity LED (yellow)	Indicates the operation of the hard drive: <ul style="list-style-type: none"> <li>• Blinking = active</li> <li>• No light = inactive</li> </ul>
Power LED (blue)	<ul style="list-style-type: none"> <li>• On = powered</li> <li>• Off = unpowered</li> </ul>
Alarm Notification LED (red)	<ul style="list-style-type: none"> <li>• On = stem error</li> <li>• Off = no alarm</li> </ul>
LAN 1 LED (green)	<ul style="list-style-type: none"> <li>• On = LAN is busy</li> <li>• Off = no connection</li> </ul>
LAN 2 LED (green)	<ul style="list-style-type: none"> <li>• On = LAN is busy</li> <li>• Off = no connection</li> </ul>

### 2.7.2 TMG7800 Telecom Unit

Once the TMG7800 Telecom Unit has run successfully through its system boot procedures, the following will be displayed in an alternating fashion as described in table 2.4 on page 34:

Table 2.4 TMG7800 Telecom Unit Displays

Display Order	Display
First Screen	IP 0: <ip address of eth0. E.g. 192.168.0.2>  IP 1: <ip address of eth1 E.g. 192.168.0.3>



Display Order	Display
Second Screen	<board type. eg. TMP-STM1, TMS-16, TMP-DS3, TMP-16, TMP-32, TMP-64>  <adapter name e.g. TB002821>  <serial number e.g. TB002821>  <release used e.g V2.2.0 RC1>

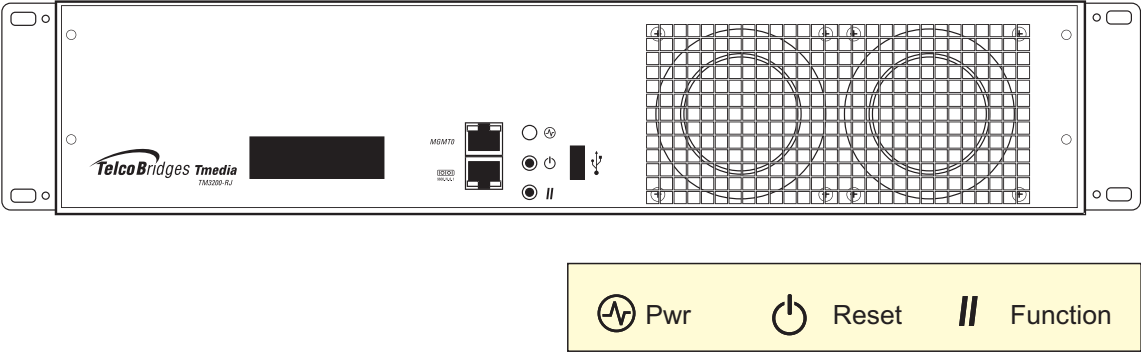


Figure 2.17 Front display and LEDs

If the reset button is pressed a software menu will appear on the display at the front of the unit. Press the function button to select one of the three actions listed in table 2.5 on page 36. Once your selection is made, press the reset button to acknowledge your choice.

Table 2.5 Reset Menu Options

Menu Choices	Description
M   Options:	
e   >Shutdown	Graceful shutdown of the Tmedia VoIP gateway. This takes a few minutes. Press the reset button to restart the Tmedia VoIP gateway.
n   Rst telecom	Reboots the telecom platform of the Tmedia VoIP gateway.
u   Rst host	Reboots the linux host of the Tmedia VoIP gateway.

### 2.7.3 TMG7800-TMS

Once the TMG7800-TMS has run successfully through its system boot procedures, the following will be displayed in an alternating fashion as described in table 2.4 on page 34:

Table 2.6 TMG7800-TMS Displays

Display Order	Display
First Screen	Toolpack controlled from host <serial number>
Second Screen	Serial <Serial number> IP <eth0 ip>/<eth1 ip>

When pressing the reset button, the following will appear (it is only possible to restart, no shutdown option available):

```
Reset?
>Yes
  No
```

Select with the function button, the press the reset button again to apply the change.

---

## 2.8 Powering Down

### 2.8.1 TMG7800-CTRL

Powering down the Tmedia VoIP gateway requires that the Linux embedded host be shut down. In order to do this, you must connect to the management interface using SSH, and enter:

```
shutdown -hP now
```

---

**Attention** DO NOT TURN OFF the power to the Tmedia VoIP gateway system using the power switch located at the rear, unless the Linux host has been properly shut down beforehand, instead use the reset button display, or manually use the shutdown command.

Allow enough time for the Linux host to shut down before turning off the power to the Tmedia VoIP gateway (ex. 1 minute). Be aware that the shutdown procedure of the unit is logged and traceable for support and warranty purposes.

---

---

**Note** As an alternate method to this procedure, refer to Section 2.7 “Verifying the LED Status Indications” on page 34, to power down the Tmedia VoIP gateway with the reset button.

---

### 2.8.2 TMG7800 Telecom Unit

Unplug the power cord from the unit. The unit can be restarted using restart button on the front of the unit.

### 2.8.3 TMG7800-TMS

Unplug the power cord from the unit. The unit can be restarted using restart button on the front of the unit.



# Chapter 3 Initial System Configuration

This chapter provides information about the following topics:

- Section 3.1 “Connecting to the Serial Port of the Tmedia VoIP Gateway”
- Section 3.2 “Configuring the Terminal Emulator Application”
- Section 3.3 “Connecting to the Tmedia VoIP Gateway”
- Section 3.4 “Retrieving Tmedia VoIP Gateway Information”
- Section 3.5 “Changing the Tmedia VoIP Gateway Management Port IP Address”
- Section 3.5 “Changing the Tmedia VoIP Gateway Management Port IP Address”
- Section 3.7 “Setting the Time Zone”
- Section 3.8 “Configuring the Tmedia VoIP Gateway Using the Web Portal”
- Section 3.9 “Changing VoIP Interface Addresses”

### 3.1 Connecting to the Serial Port of the Tmedia VoIP Gateway

**Note** By default, the management port is set to DHCP.

Sections 3.1 and 3.2 provide instructions on how to convert the DHCP management port to a static IP address. If your network supports DHCP, skip sections 3.1 and 3.2.

The serial port interface enables administrators to perform management tasks on the Tmedia VoIP gateway.

**To connect to the serial port of a Tmedia VoIP gateway:**

1. Connect a CAT5 RJ-45 (male-male) cable (supplied with unit) between the com port of your computer and the serial port (labelled 10101) of the Tmedia VoIP gateway as shown in figure 3.1 on page 40. See Section A.2 on page 49 for a RJ-45 console wiring diagram.
2. If your computer's serial port features a DB9 connector, use the DB9 to RJ-45 adapter supplied with your Tmedia VoIP gateway. If your computer's serial port features a USB connector, you will need to provide a USB to DB9 adaptor. Refer to figure 3.2 on page 40.

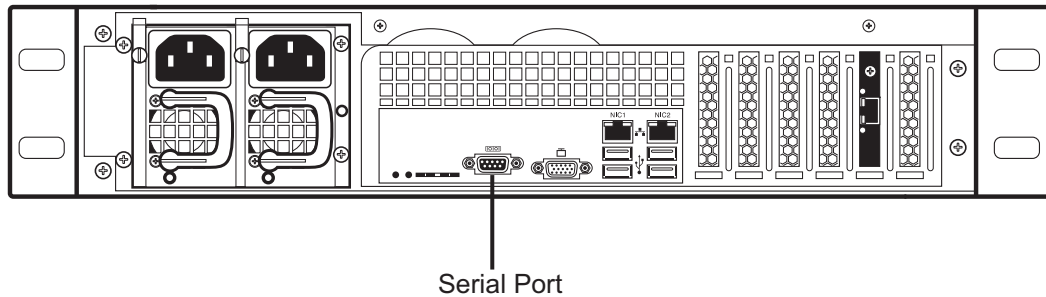


Figure 3.1 Computer to Tmedia VoIP Gateway Serial Port Connection

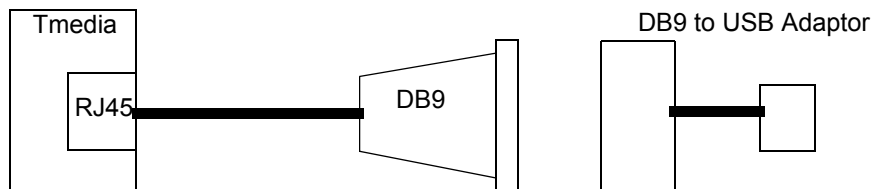


Figure 3.2 Conceptual View of a Serial Connection from the Tmedia VoIP Gateway to a Computer

## 3.2 Configuring the Terminal Emulator Application

Before initiating communication with the Tmedia serial interface, you must first configure a terminal emulator or console application to communicate with the Tmedia VoIP gateway in order to configure initial settings. Available terminal emulation software includes:

- HyperTerminal
- Putty
- Minicom

**To configure the terminal emulator application:**

1. Set the baud rate (bits per second) to **9600**
2. Set the data rate to **8 bits**
3. Set the parity to **None**
4. Set the stop bits to **1**
5. Set the flow control to **None**

---

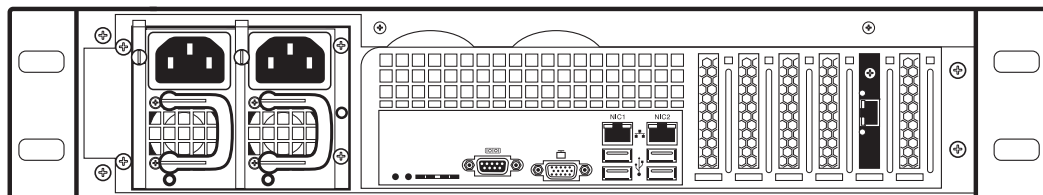
**Note** See Section 3.5 on page 42 to learn how to change the IP address of the MGMT0 port.

---

## 3.3 Connecting to the Tmedia VoIP Gateway

The Tmedia VoIP Gateway is shipped with the TMG-CTRL preinstalled. In order to make changes to the system configuration, you must connect the port labelled MGMT0 at the front of the Tmedia VoIP Gateway to a terminal.

To access the Tmedia VoIP Gateway, you must use an SSH connection. The password is set at the factory and is indicated on the shipment sheet.



Management Interface

Figure 3.3 Tmedia Management Interface

## 3.4 Retrieving Tmedia VoIP Gateway Information

**Note** The Tmedia VoIP gateway enables you to retrieve system information with the following shell commands:

- `tbproduct` (retrieve the Tmedia product type)
  - `tbserial` (retrieve the Tmedia product type)
- 

The Tmedia VoIP Gateway enables you to retrieve system information with the following shell commands:

- `tbproduct` (retrieve the Tmedia product type). See [http://docs.telcobridges.com/mediawiki/index.php/TMG:Get\\_Product\\_Type](http://docs.telcobridges.com/mediawiki/index.php/TMG:Get_Product_Type), for further information.
- `tbserial` (retrieve the Tmedia serial number). See [http://docs.telcobridges.com/mediawiki/index.php/TMG:Get\\_Serial\\_Number](http://docs.telcobridges.com/mediawiki/index.php/TMG:Get_Serial_Number), for further information.

## 3.5 Changing the Tmedia VoIP Gateway Management Port IP Address

The management port of the Tmedia VoIP Gateway (labeled MGMT0) is configured using DHCP by default. It can be modified it using the following shell script:

- `tbchangeip`. See [http://docs.telcobridges.com/mediawiki/index.php/TMG:Change\\_Management\\_IP\\_Address](http://docs.telcobridges.com/mediawiki/index.php/TMG:Change_Management_IP_Address), for further information.

## 3.6 Changing Tmedia VoIP Gateway Management Port Passwords

Once logged you are logged on to the Tmedia VoIP Gateway, type “passwd”, to change the password being used. The following information will be displayed:

```
[root@TB003540 ~]# passwd

Changing password for user root.
New UNIX password:
Retype new UNIX password:
passwd: all authentication tokens updated successfully.
```

## 3.7 Setting the Time Zone

You can change the time zone of the Tmedia VoIP Gateway using the `tbtimezone` shell command.

## 3.8 Configuring the Tmedia VoIP Gateway Using the Web Portal

**Note:** The first time that you connect to the web portal, you will need to configure the role of the TMG7800-CTRL.

---



To change the default configuration of a Tmedia VoIP Gateway using the Web Portal, follow the steps described in the Web Portal System Configuration Tutorial Guide, found on the TBWiki:

<http://docs.telcobridges.com>

The Web Portal can be accessed with a Web browser. The default url is: `http://[Tmedia MGMT0 IP address]:12358`

---

**Note** If your system features two TMG7800-CTRL units, they can access the Web Portal from either one of their IP addresses.

---

The default login information to access the Web Portal application is:

- Username: root
- Password: root

## 3.9 Changing VoIP Interface Addresses

The default address of the VoIP interfaces of the Tmedia VoIP Gateway can be modified. To learn how this is done, refer to the Web Portal tutorial guide on the Telcobridges TB Wiki at [docs.telcobridges.com](http://docs.telcobridges.com).

---

**Note** With regard to sections 3.2, 3.3, 3.4 3.5, 3.6 or 3.7, please visit the TBWiki at: <http://docs.telcobridges.com>

---



# Chapter 4      System Backups

This chapter provides information about the following topics:

- Section 4.1 “Creating a Database Backup”
- Section 4.2 “Downloading a Database Backup”
- Section 4.3 “Uploading a Database Backup”
- Section 4.4 “Restoring a Database Backup”

For more detailed information with regard to any of the points described in this section, please refer to the TBWiki: <http://docs.telcobridges.com>

## 4.1 Creating a Database Backup

It is important that backups be made of system configuration settings in the event of a system failure. It is recommended that a backup be made once the system has been configured. Backups are performed using the web portal.

## 4.2 Downloading a Database Backup

A backup of system data is stored on the hard drive of the Tmedia VoIP gateway. It is important that system backups be downloaded to an external storage device.

## 4.3 Uploading a Database Backup

An external backup of your database can be uploaded to your Tmedia VoIP Gateway.

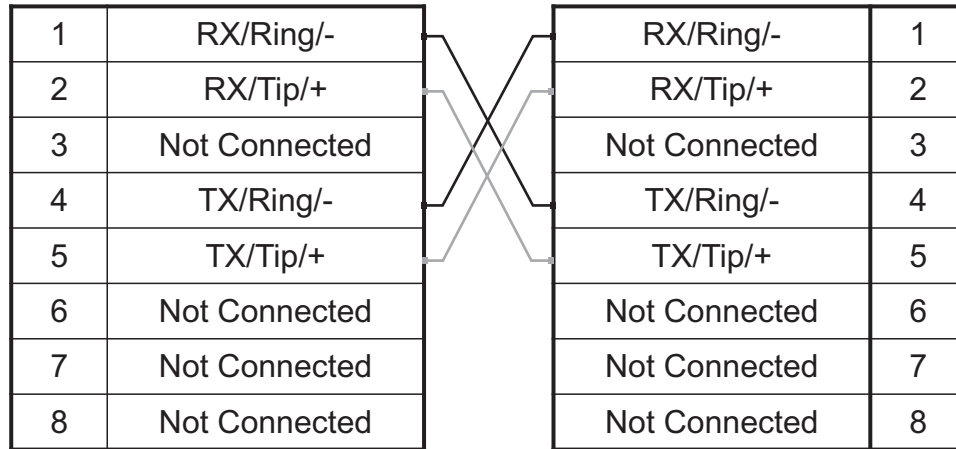
## 4.4 Restoring a Database Backup

In the event of a system failure requiring the replacement of a Tmedia VoIP gateway, a previously saved backup of system settings can be restored to the new unit.

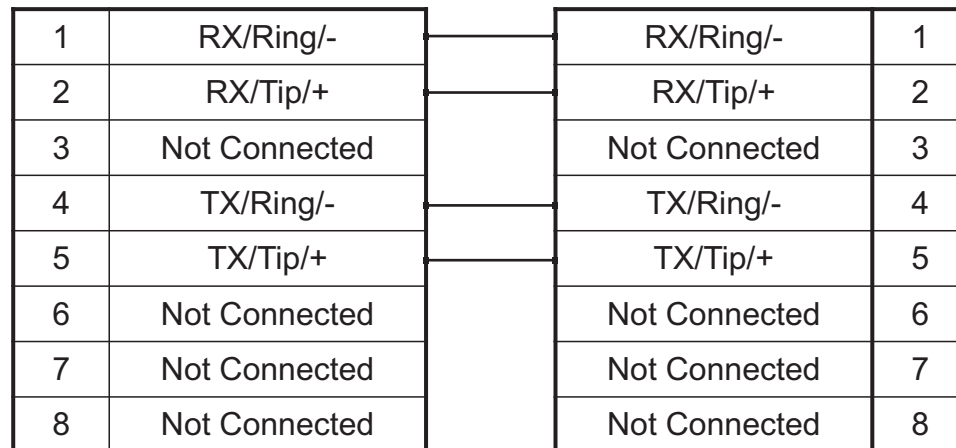
# Appendix A Wiring Diagrams

## A.1 RJ48C Wiring Diagram: Crossover and Straight Cables

**RJ 48 (T1/E1/J1) Wiring Schematic: Crossover Cable**



**RJ 48 (T1/E1/J1) Wiring Schematic: Straight Cable**



## A.2 RJ48 Console Wiring Diagram

