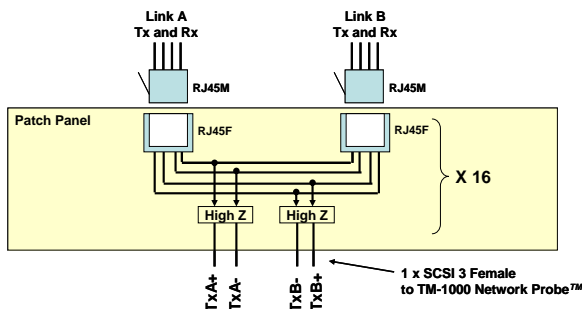


Tapping Patch Panel

TelcoBridges' Tapping Patch Panel, used in conjunction with the TM-1000 Network Probe™, enables the non-intrusive monitoring of up to 16 T1/E1 signals.

The patch panel connects to the T1/E1 signals to be monitored. It provides a non-intrusive monitoring of the T1/E1 signals while passing through the actual T1/E1 signals. The device includes high-impedance circuits to connect to the active T1/E1 signals such that it can probe the electrical signals while minimizing disturbances on the actual signals.

The connected signals are routed to the TM-1000 Network Probe which receives them to detect and capture SS7 messages and HDLC-like packets.



The Tapping Patch Panel is a passive device. Each Tapping Patch Panel consists of 32 female RJ45 connectors for the connection of up to 16 T1/E1 links to be monitored.

For each T1/E1 link, the patch panel passes through the T1/E1 signal while tapping the signals for monitoring by TM-1000 Network Probe. The device features configurable high-impedance circuits individually for each T1/E1 link.

Technical Specifications

Physical Interfaces

Front Panel

- 32 RJ45 female T1/E1 input connectors
- 16 in and 16 out

Rear Panel

- 2 SCSI-3 female output connectors (to TM-1000 Network Probe)

Standards

Non-Intrusive Monitoring

- Protected E1 monitoring: ITU-T G.772
- Protected T1 monitoring: ANSI T1.102-1993

Mechanical

- 1U 19-inch rackmount
- Recessed

Environmental

- Operating: 0 to +50° C, 0 to 95% non-condensing, relative humidity
- Storage: -20 to +75° C, 0 to 95% non-condensing, relative humidity



About TelcoBridges

TelcoBridges is a disruptive innovator paving the way for solutions providers and OEMs to secure a significant share of the growing market for enhanced voice and video services. TelcoBridges' customers win more business by building on the unrivaled scalability, flexibility and reliability of our switching, signaling and digital signal processing hardware and software.